

1/20

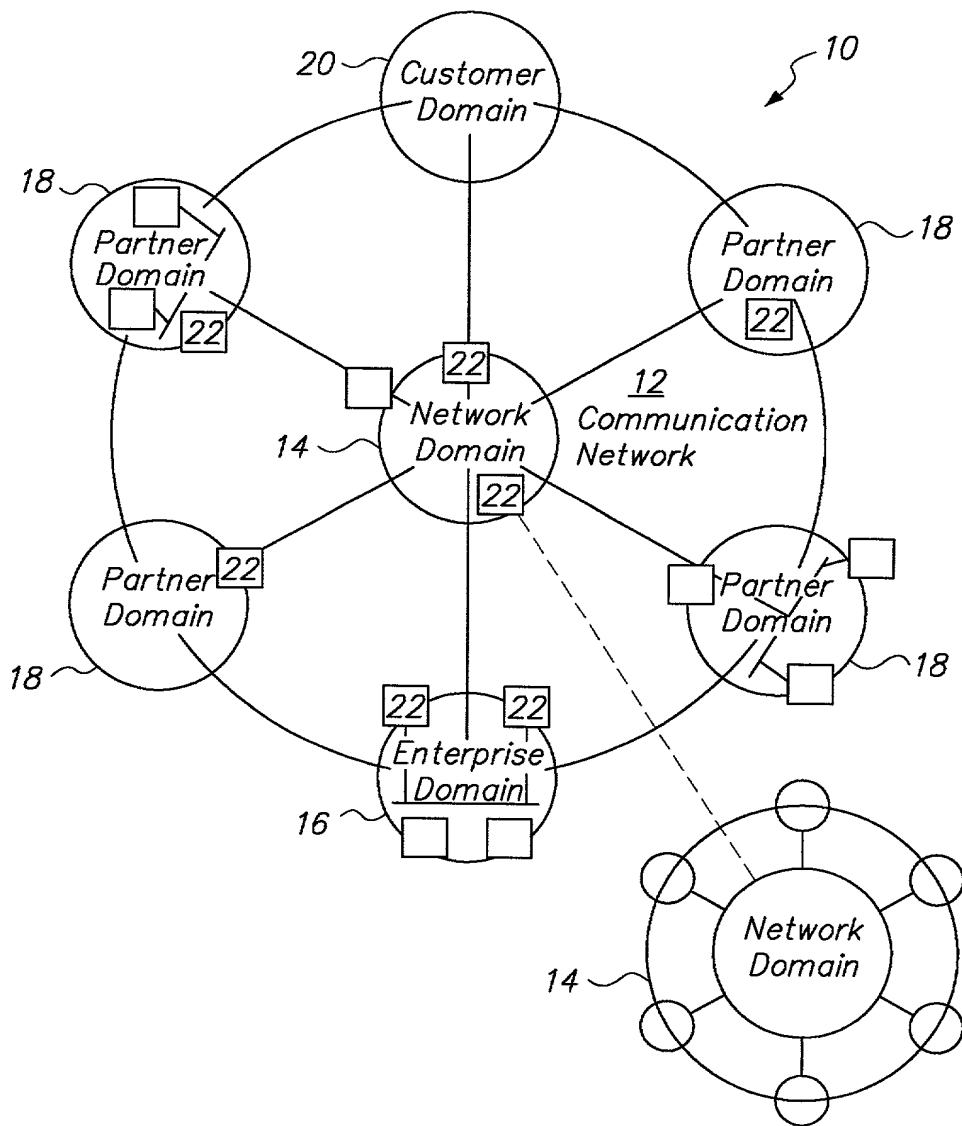


FIG. 1

2025 RELEASE UNDER E.O. 14176

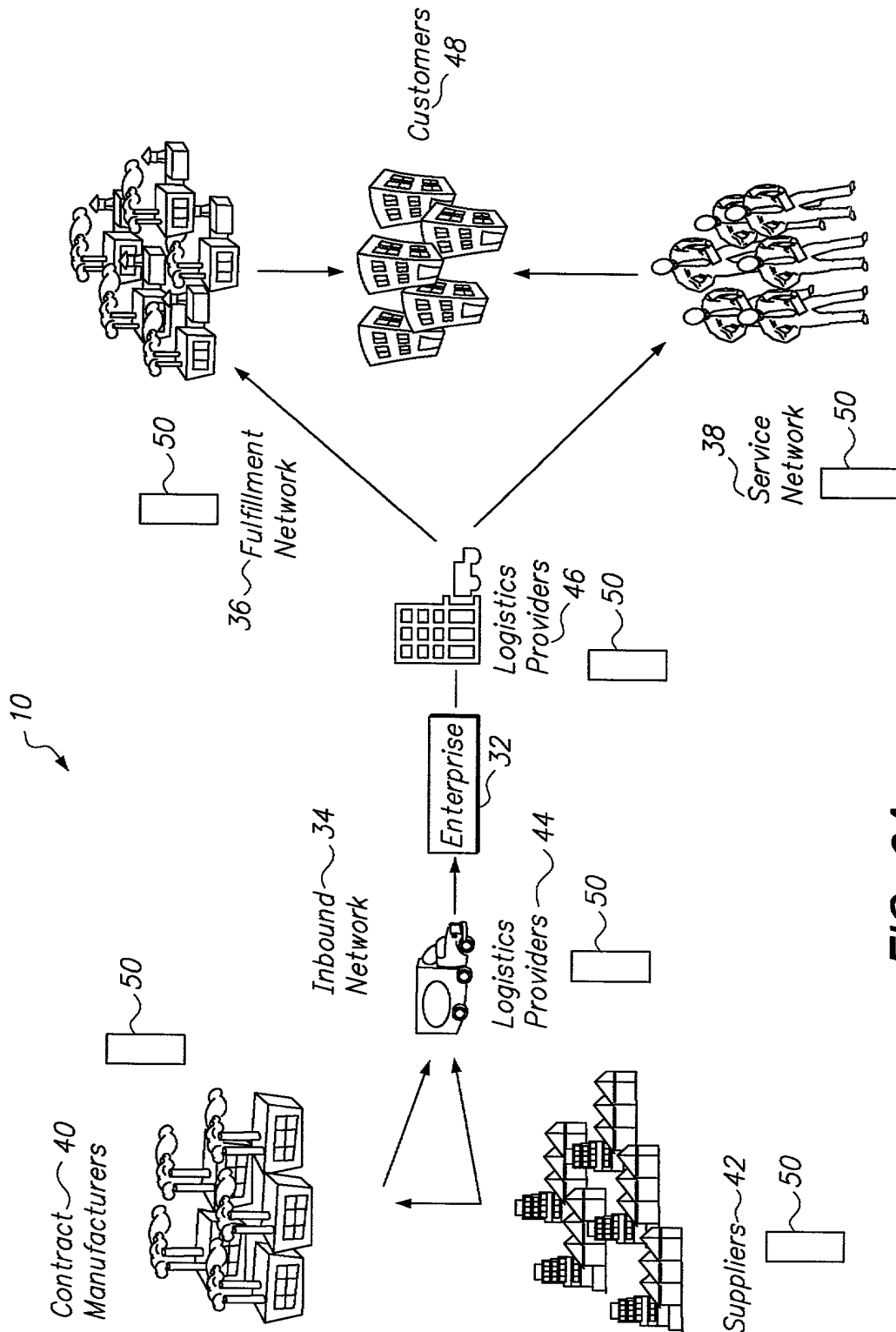


FIG. 2A

3/20

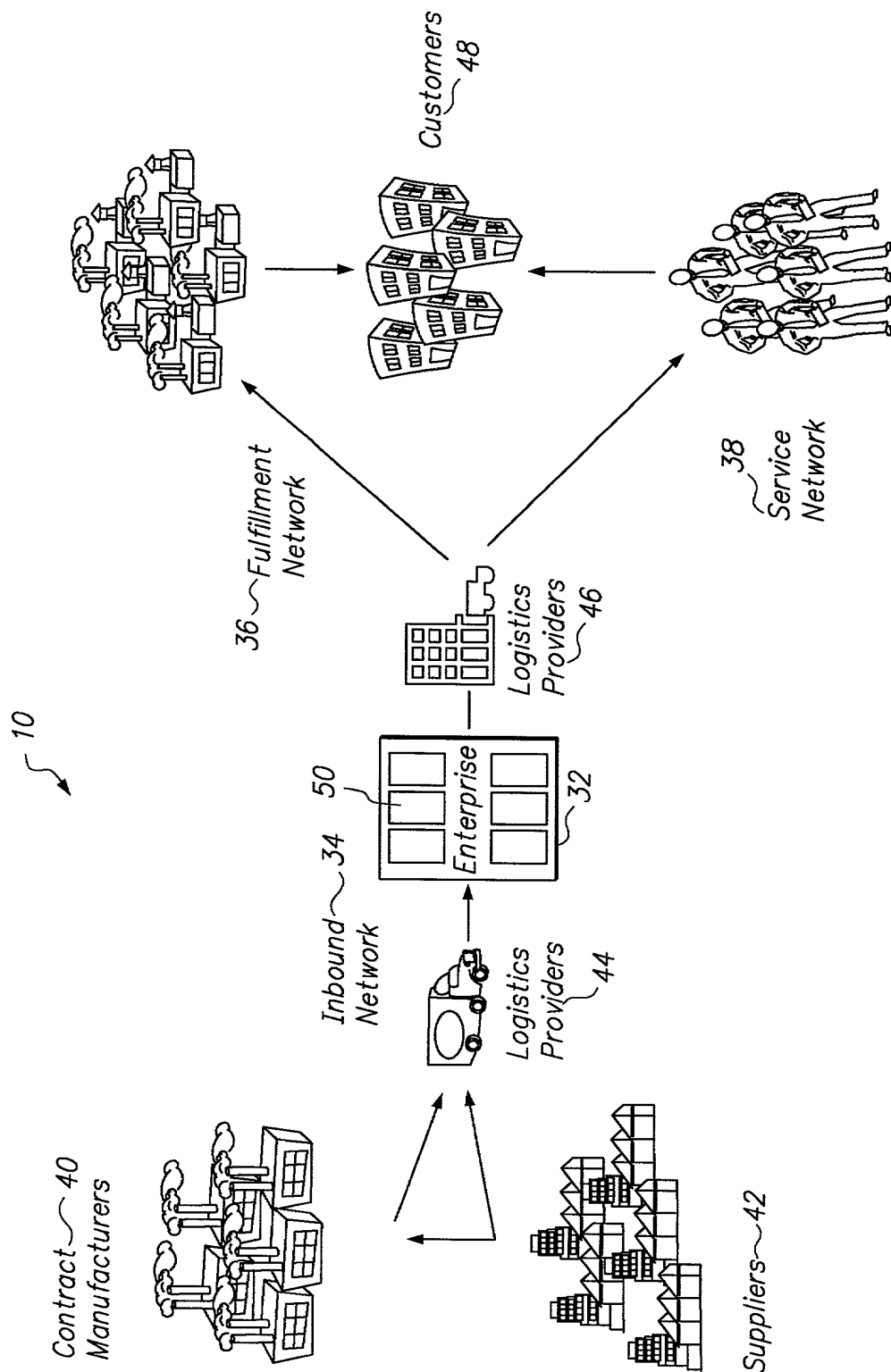


FIG. 2B

20250909 09:46:20 AM

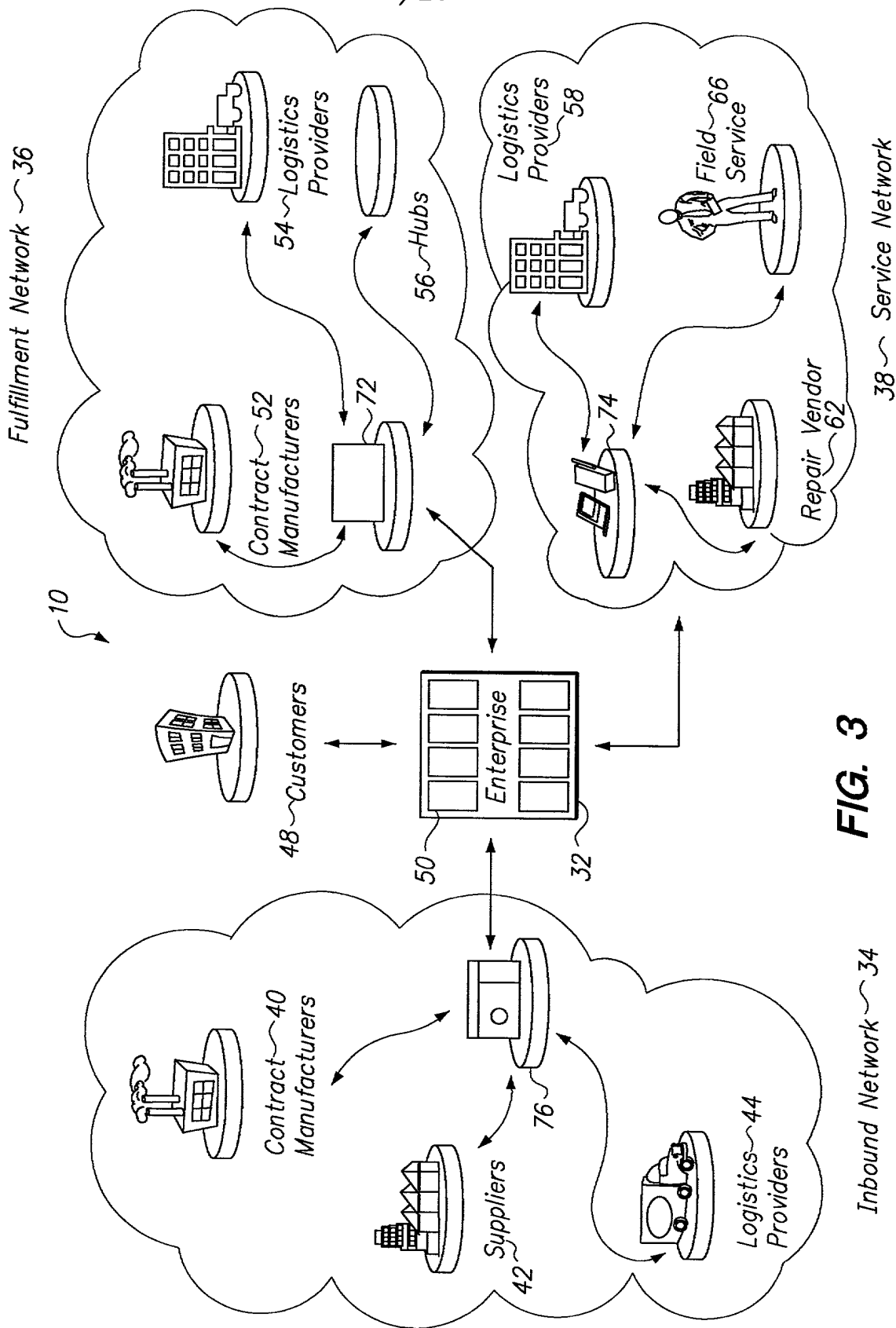


FIG. 3

Inbound Network ~ 34

Fulfillment Network ~ 36

Service Network ~ 38

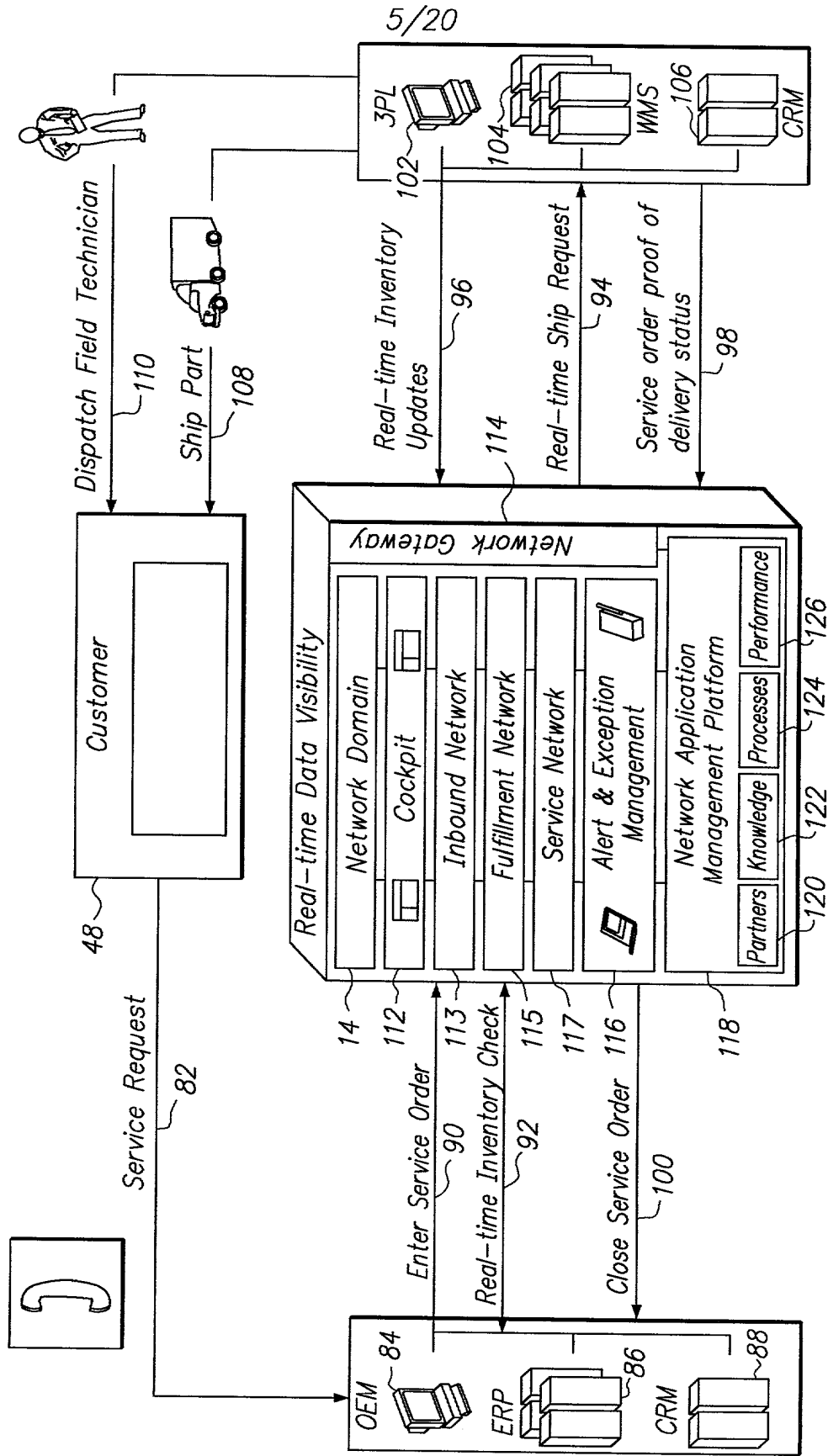


FIG. 4

6/20

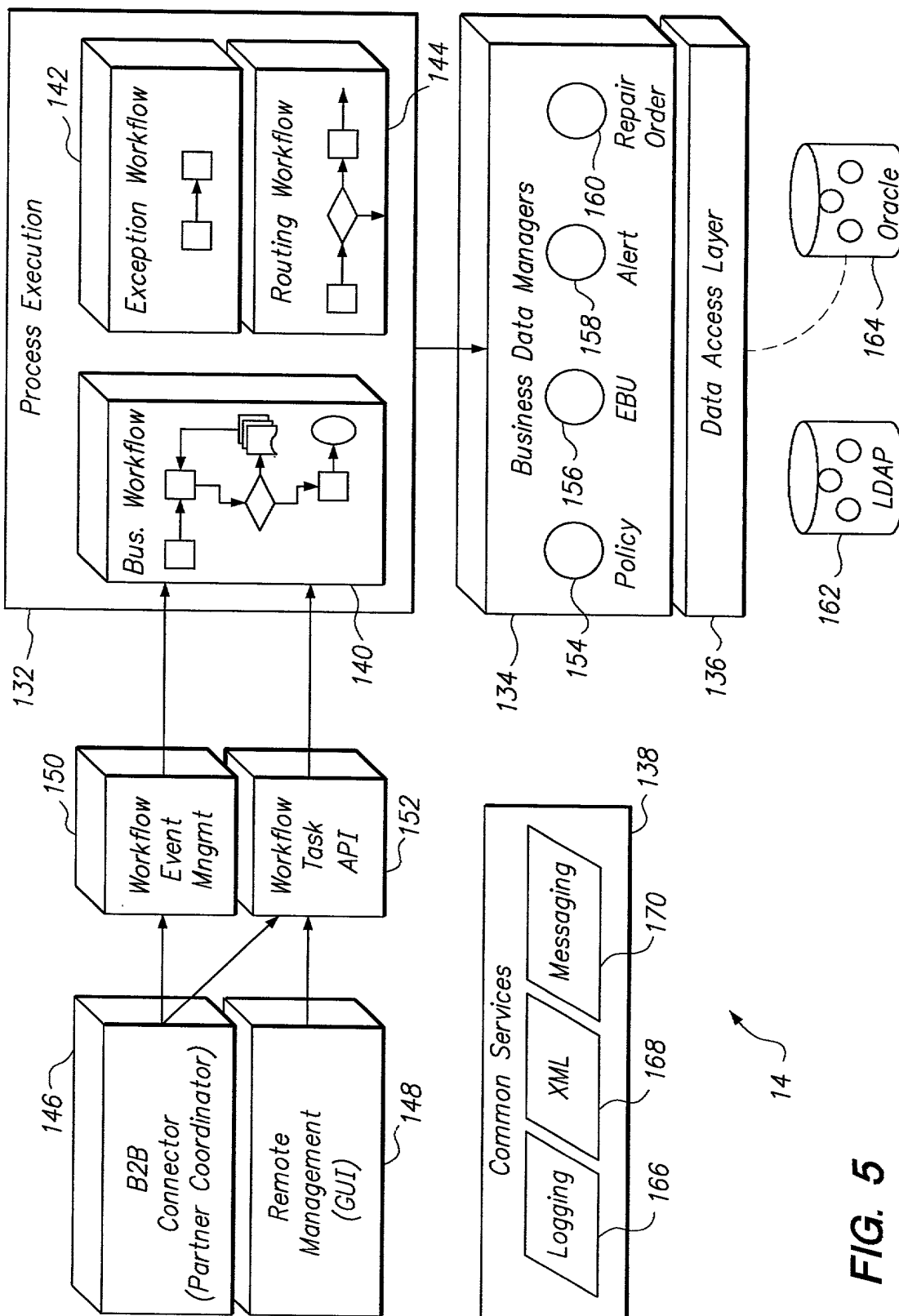


FIG. 5

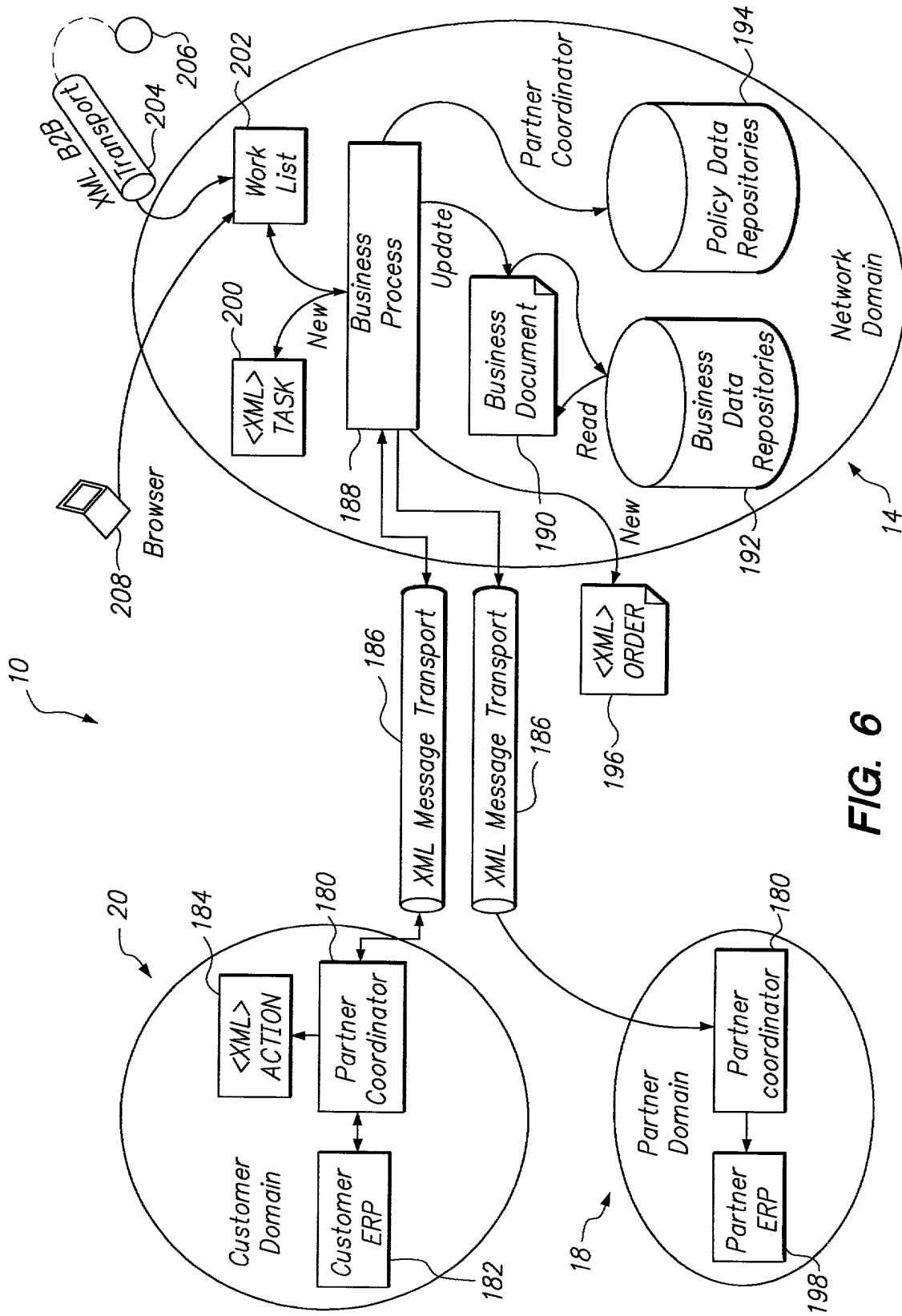


FIG. 6

20060303 "SECRET"

8/20

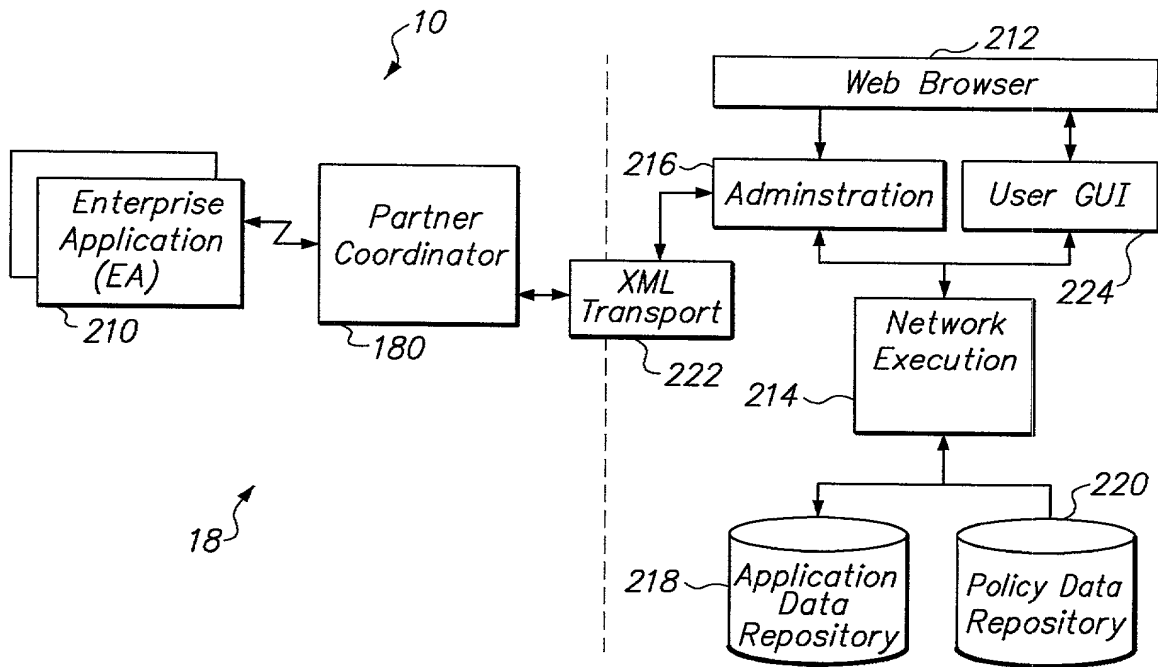


FIG. 7

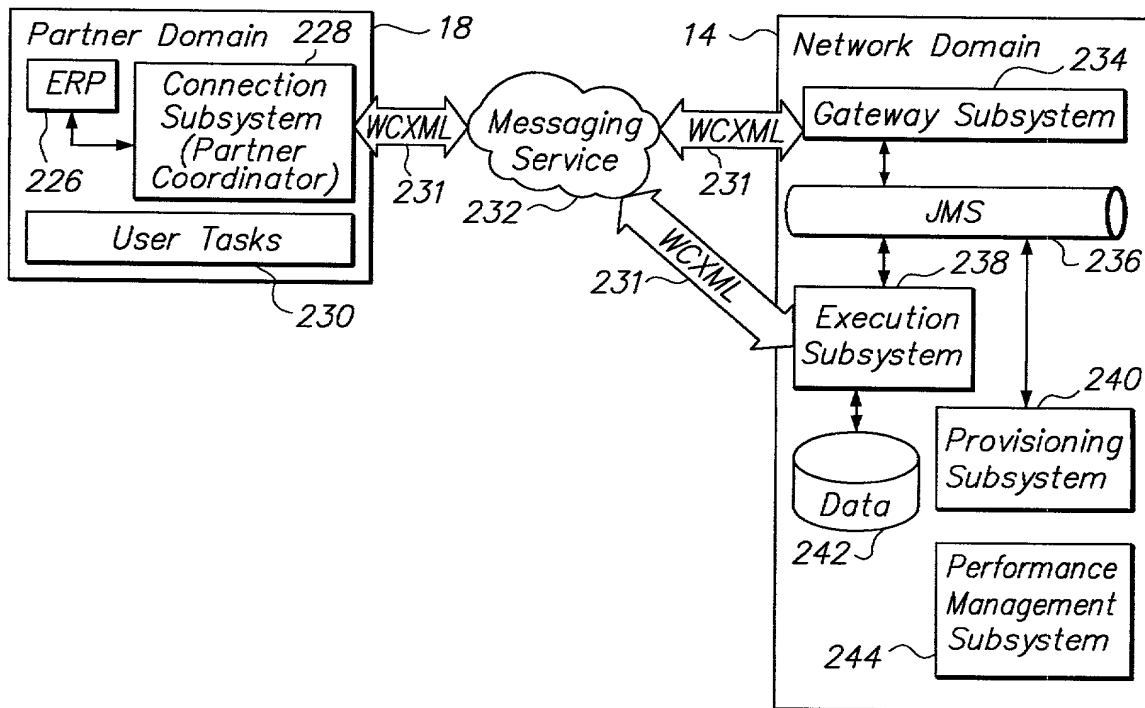


FIG. 8

200603352001

9/20

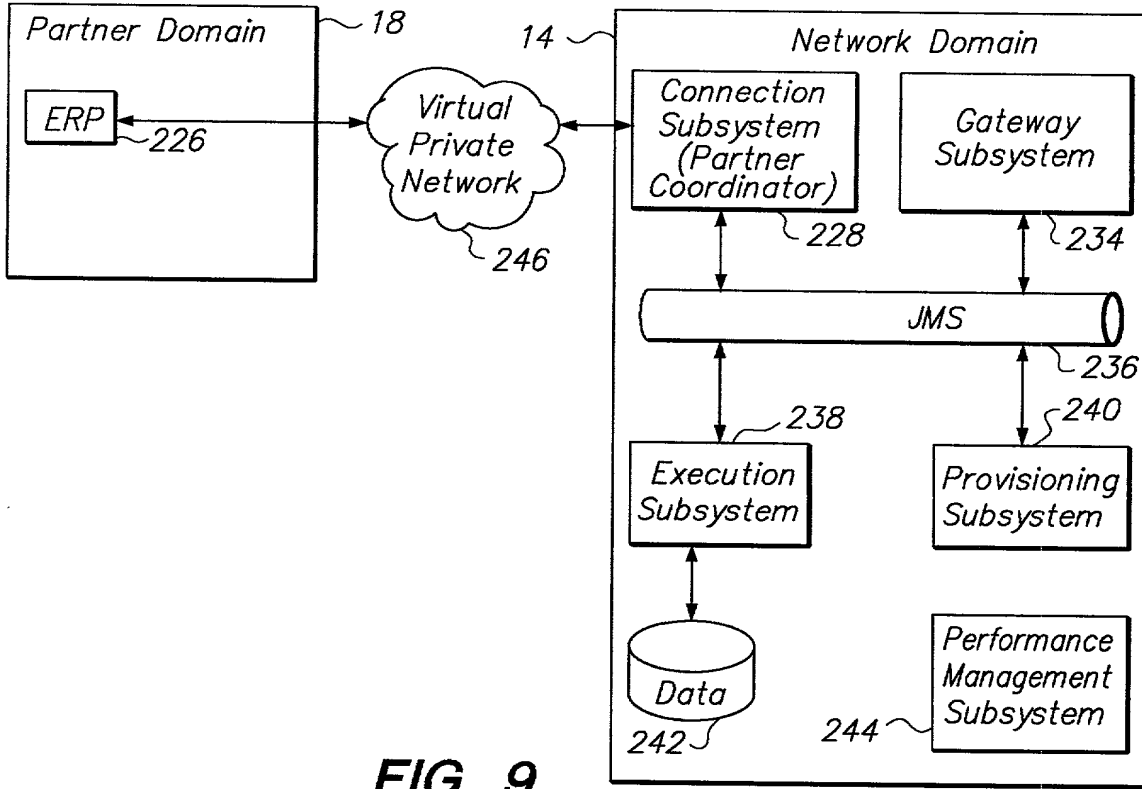


FIG. 9

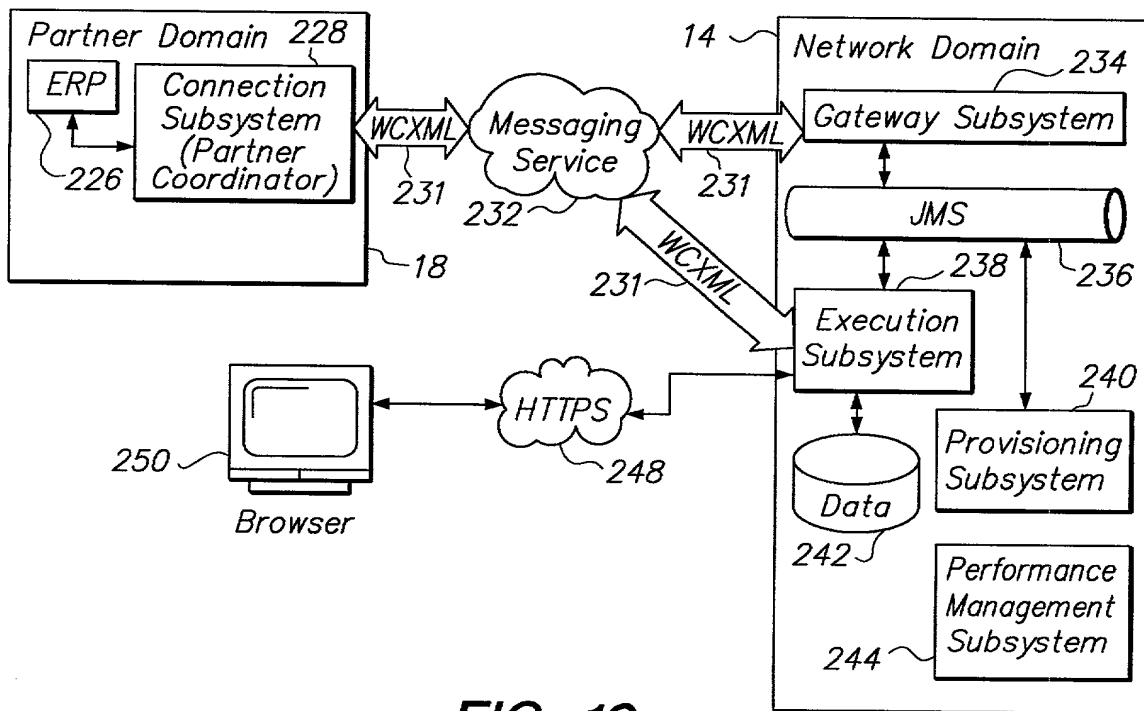


FIG. 10

20060929 09:56:30

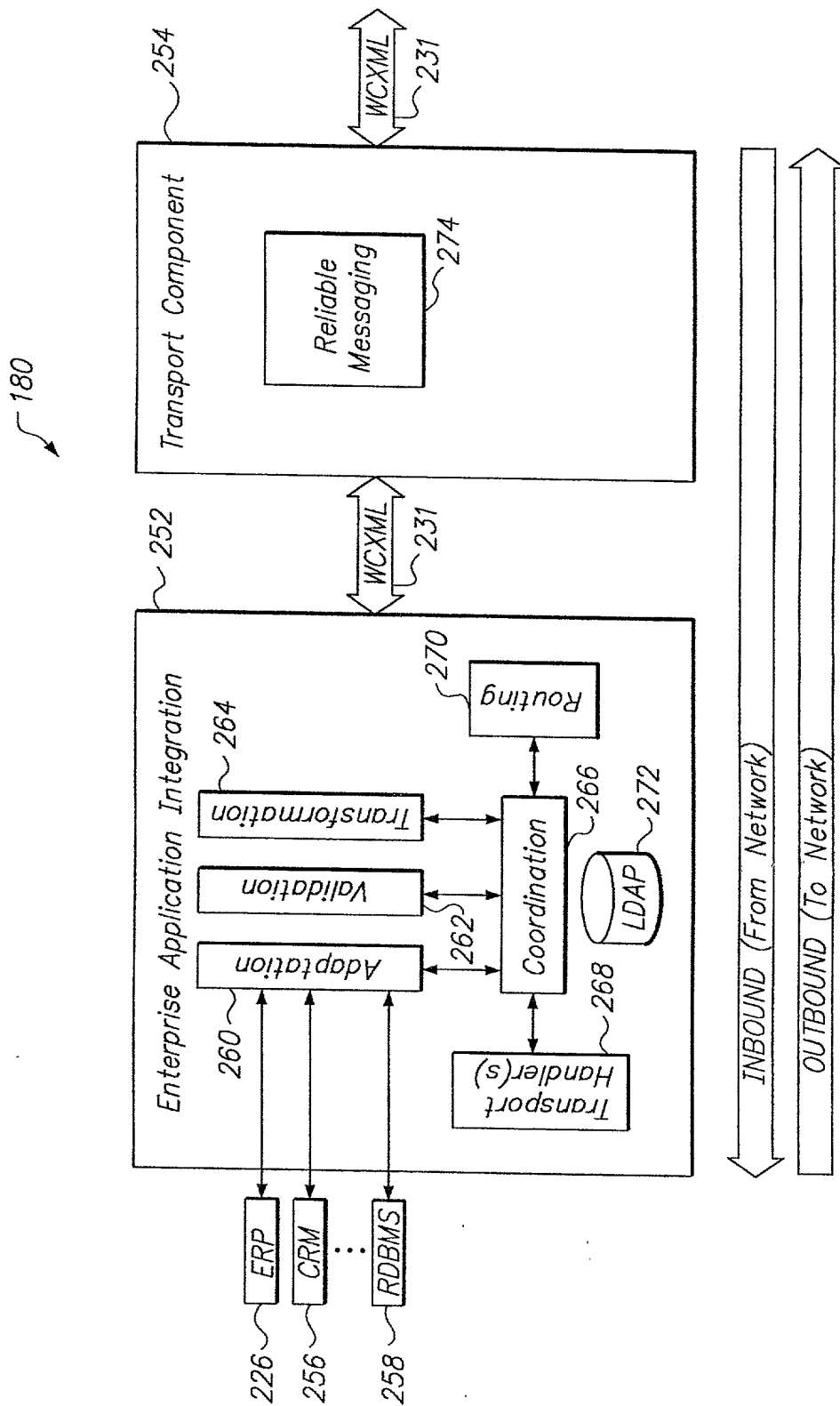


FIG. 11

20060205964001

11/20

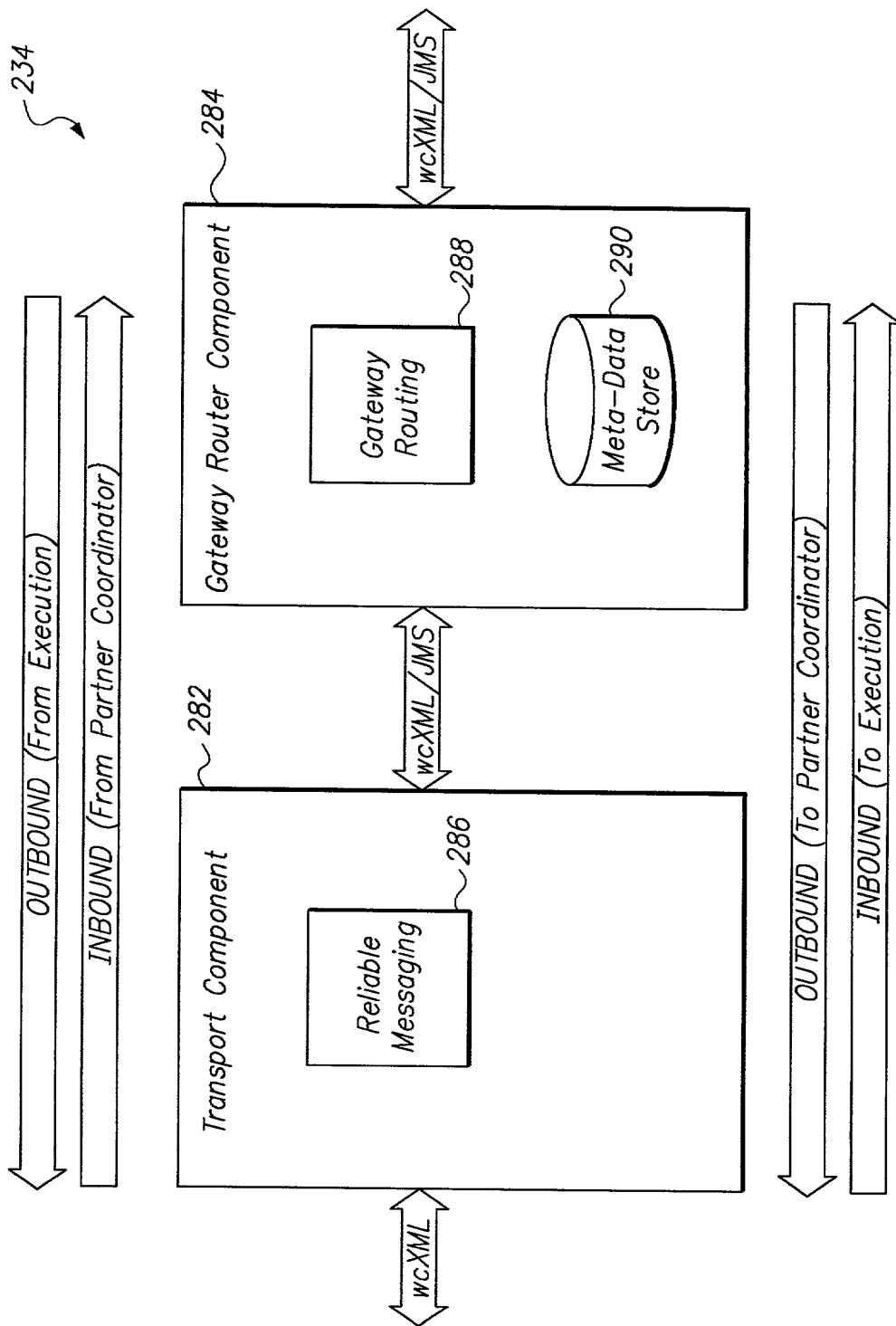


FIG. 12

12/20

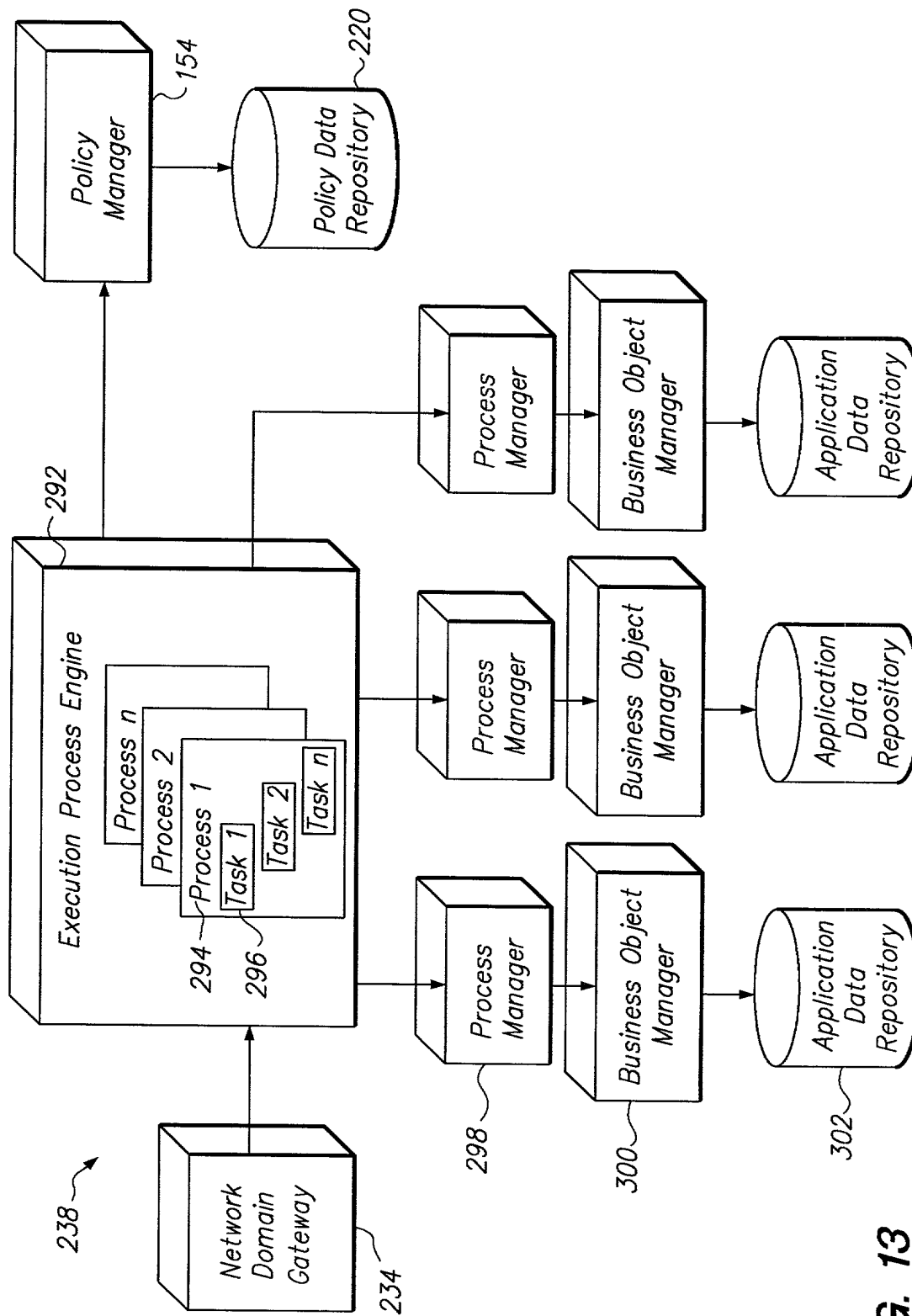


FIG. 13

2025 RELEASE

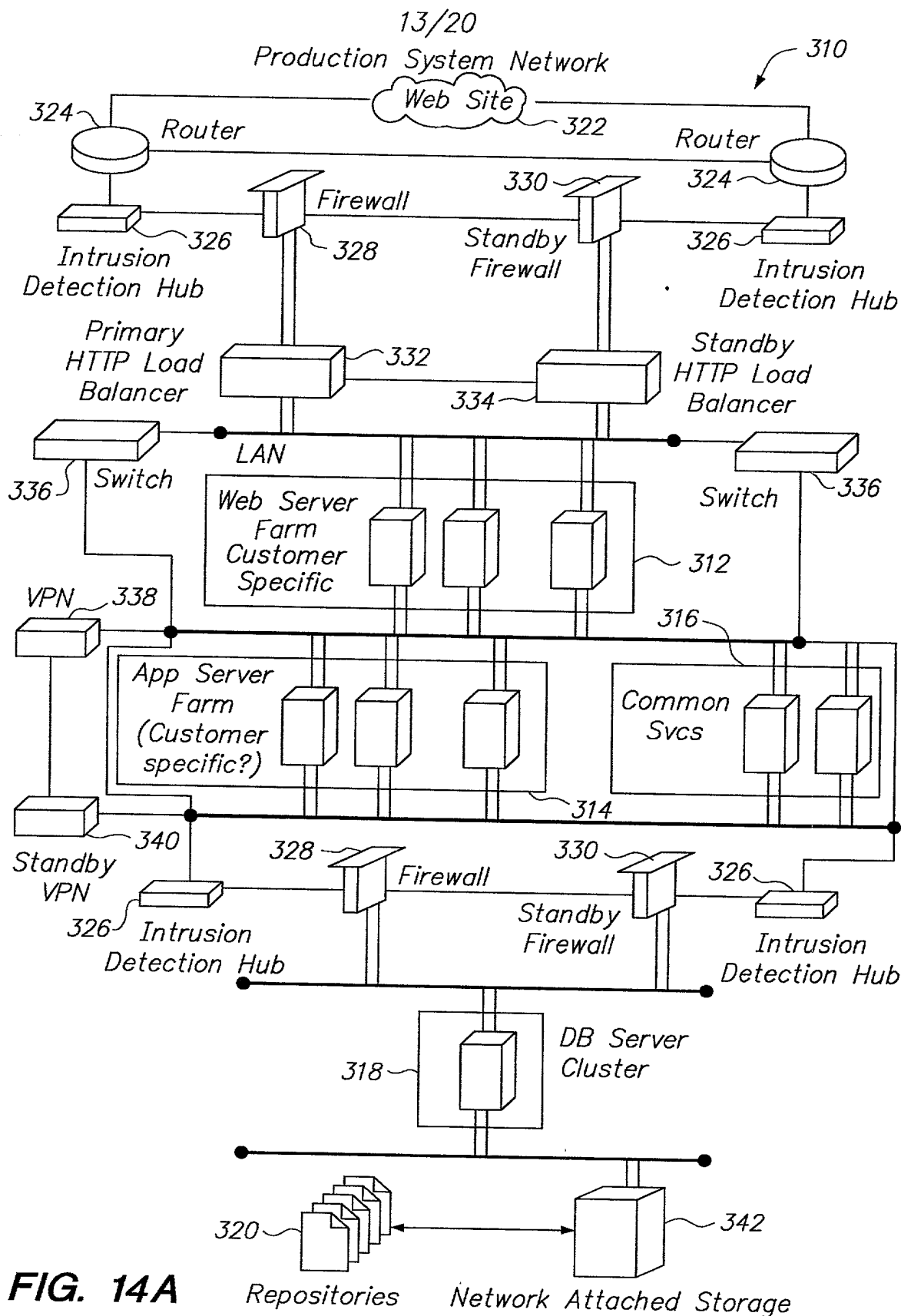


FIG. 14A

REPRODUCED FROM U.S. PATENT OFFICE

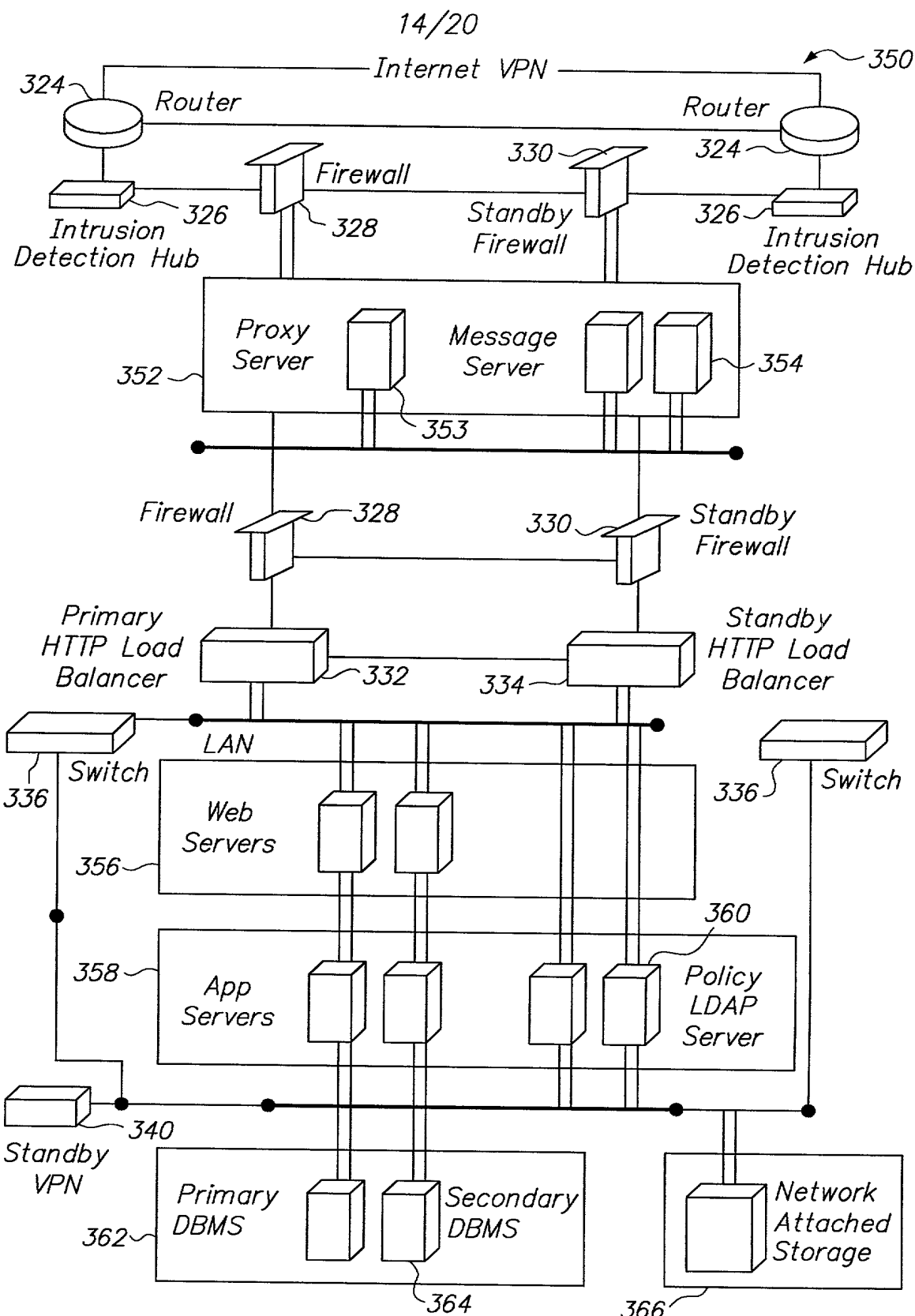


FIG. 14B

20060209 095220

15/20

20250909 09:56:20

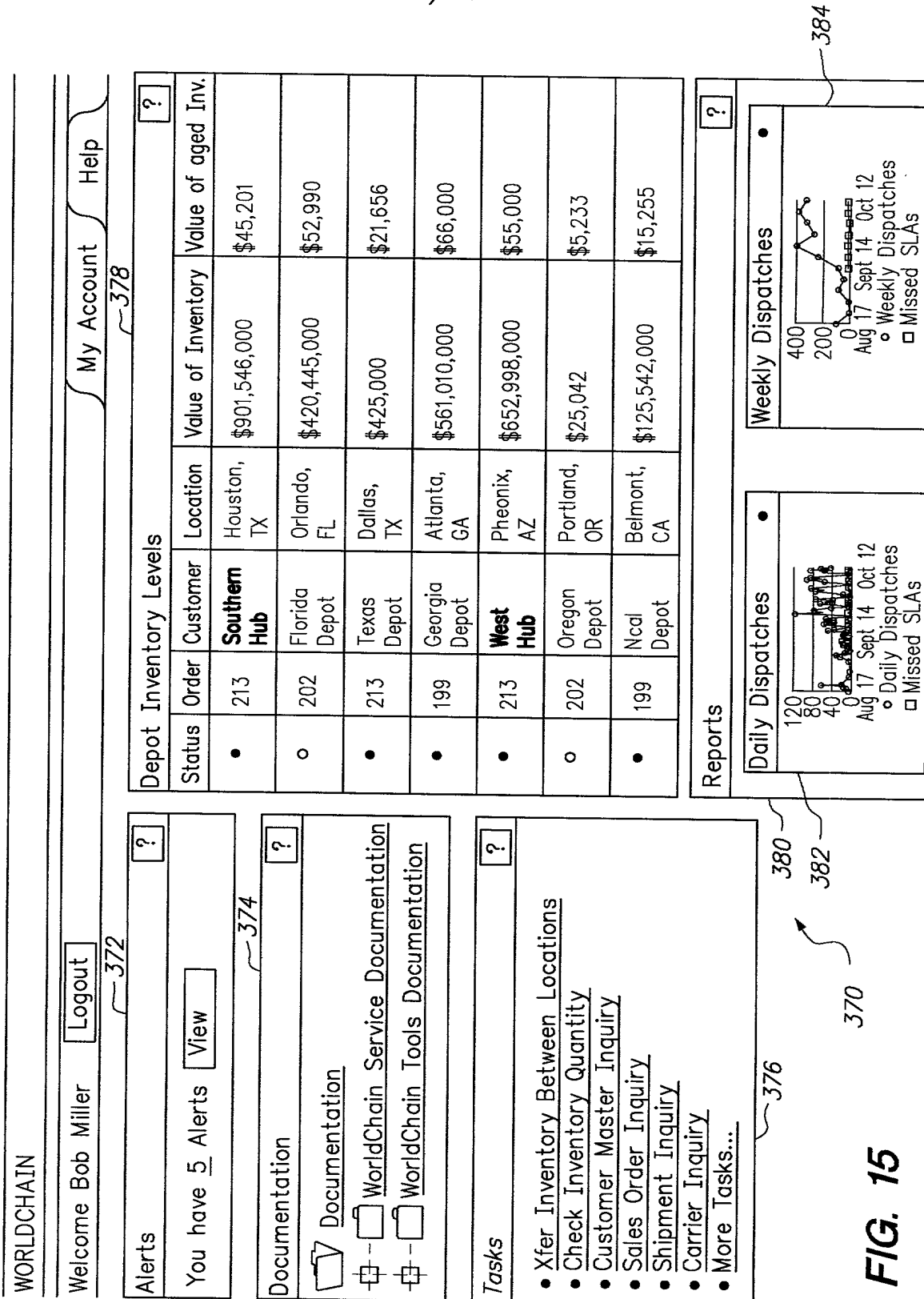


FIG. 15

16/20

400

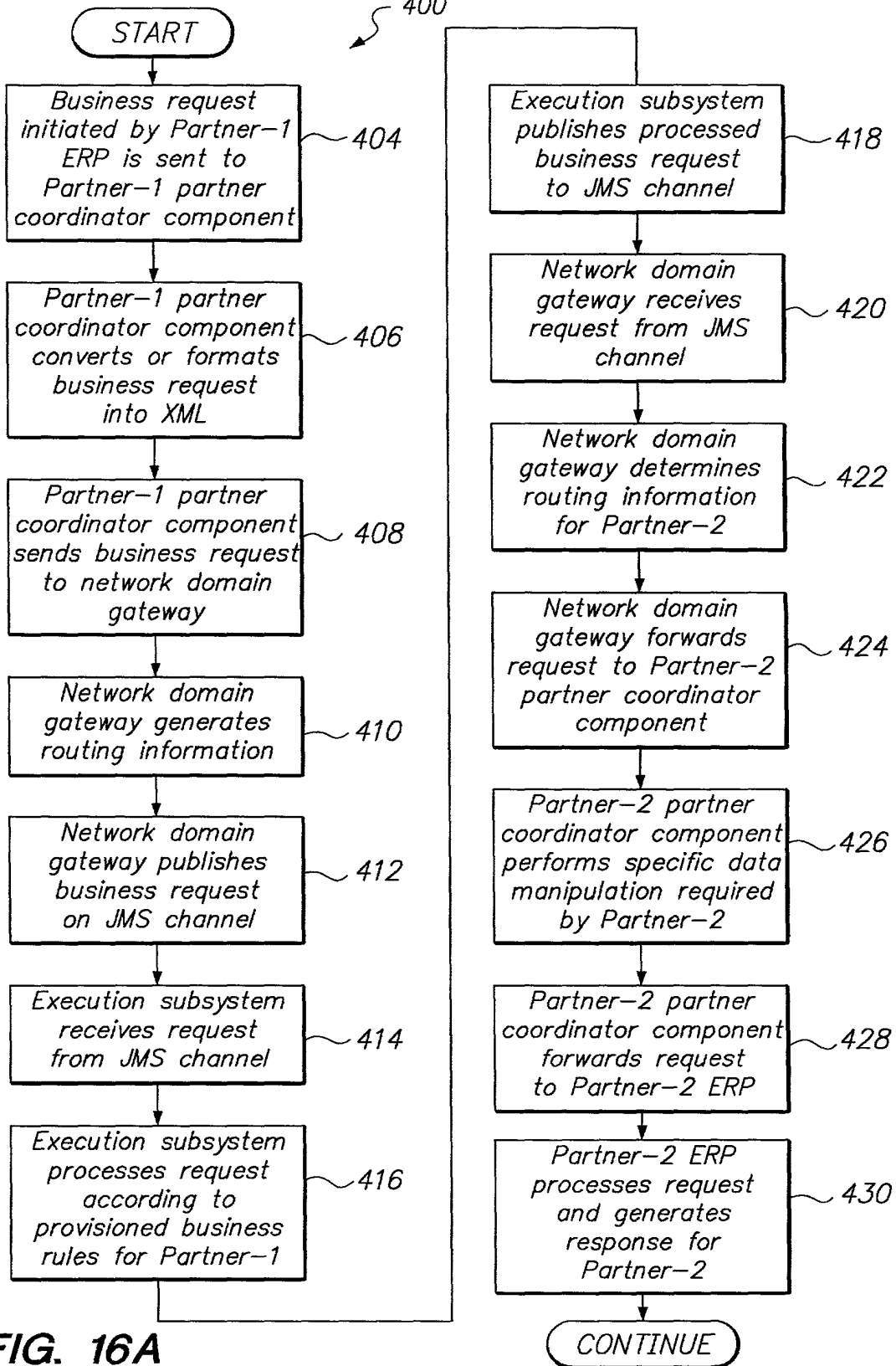


FIG. 16A

20250308

17/20

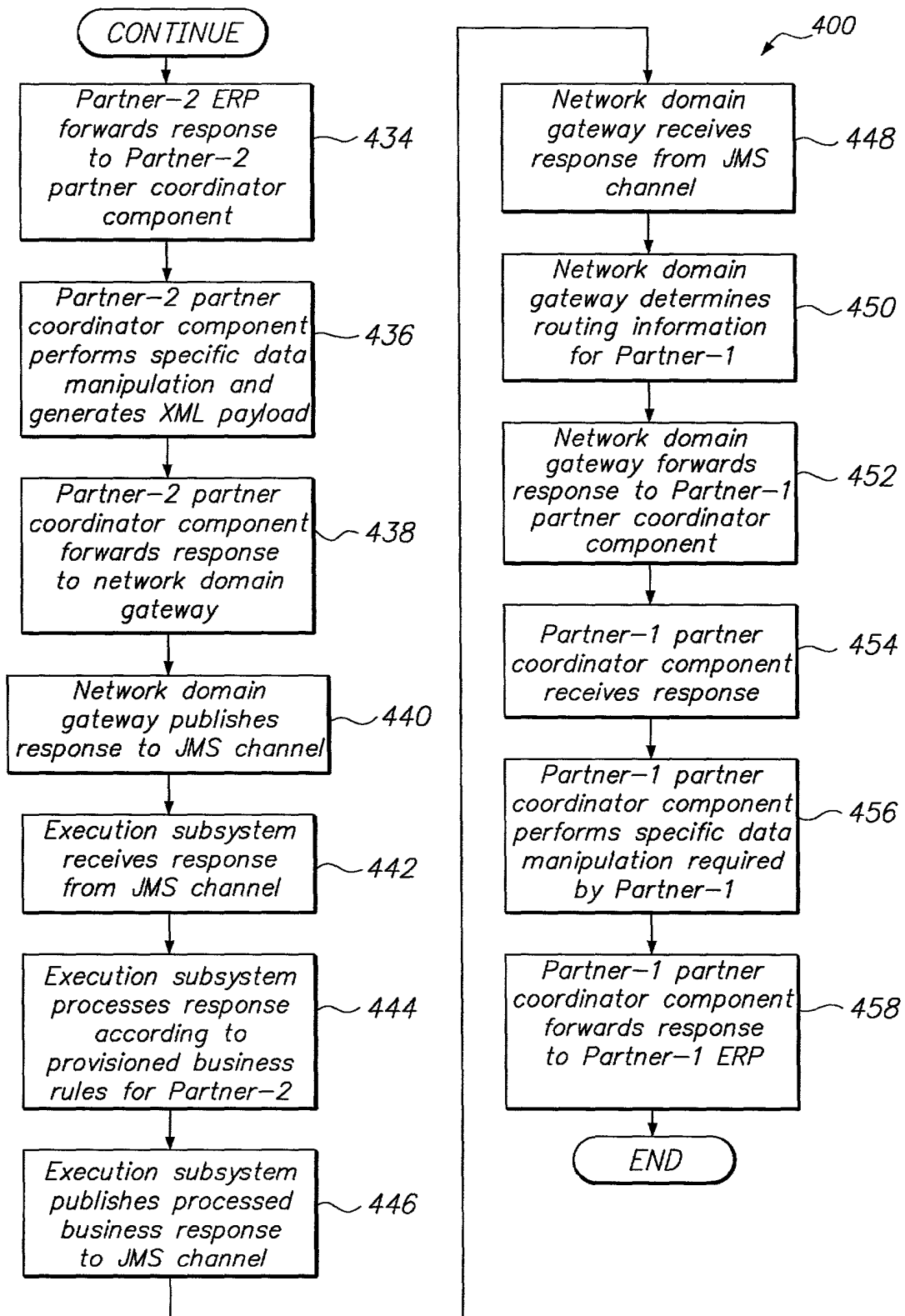


FIG. 16B

2025 RELEASE UNDER E.O. 14176

18/20

500

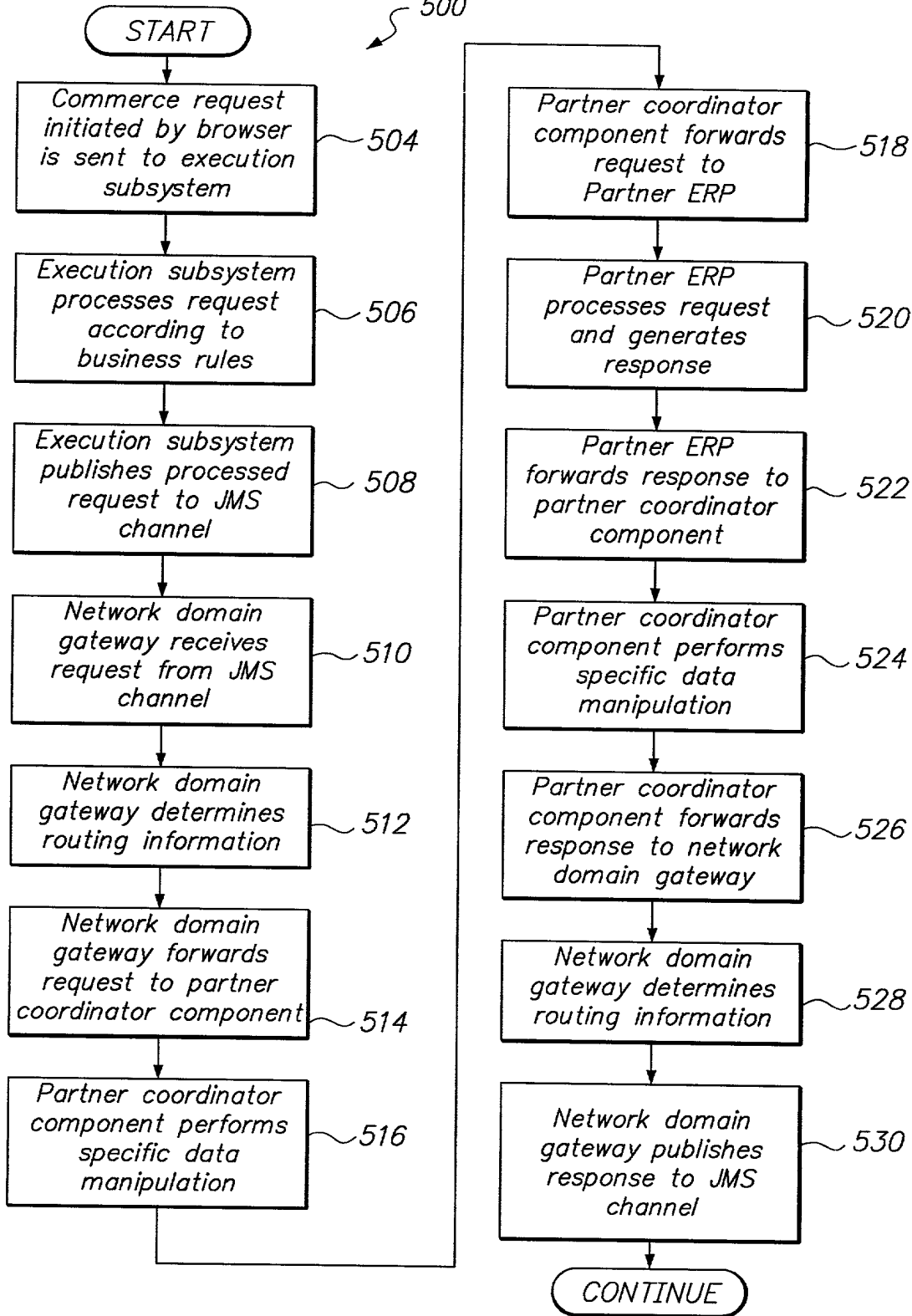


FIG. 17A

2025 RELEASE UNDER E.O. 14176

19/20

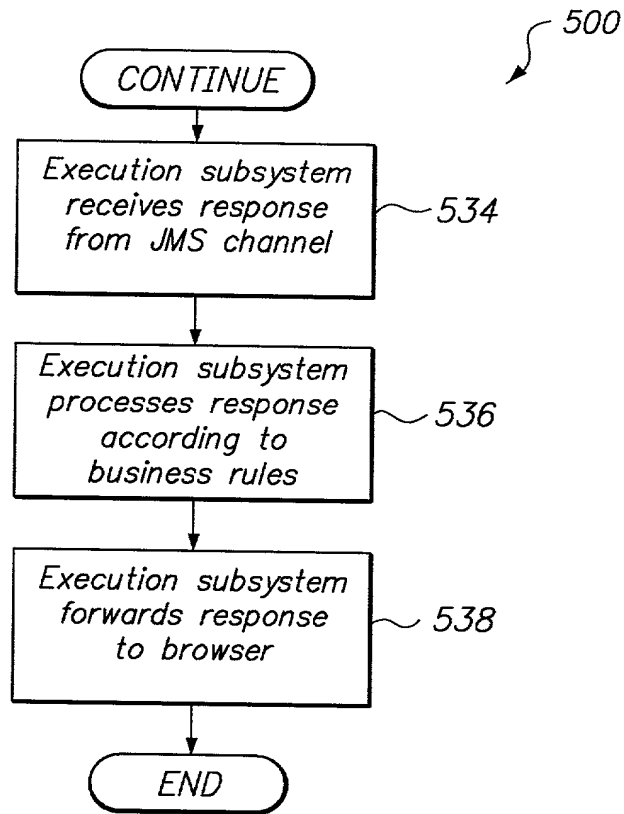


FIG. 17B

2025 RELEASE UNDER E.O. 14176

20/20

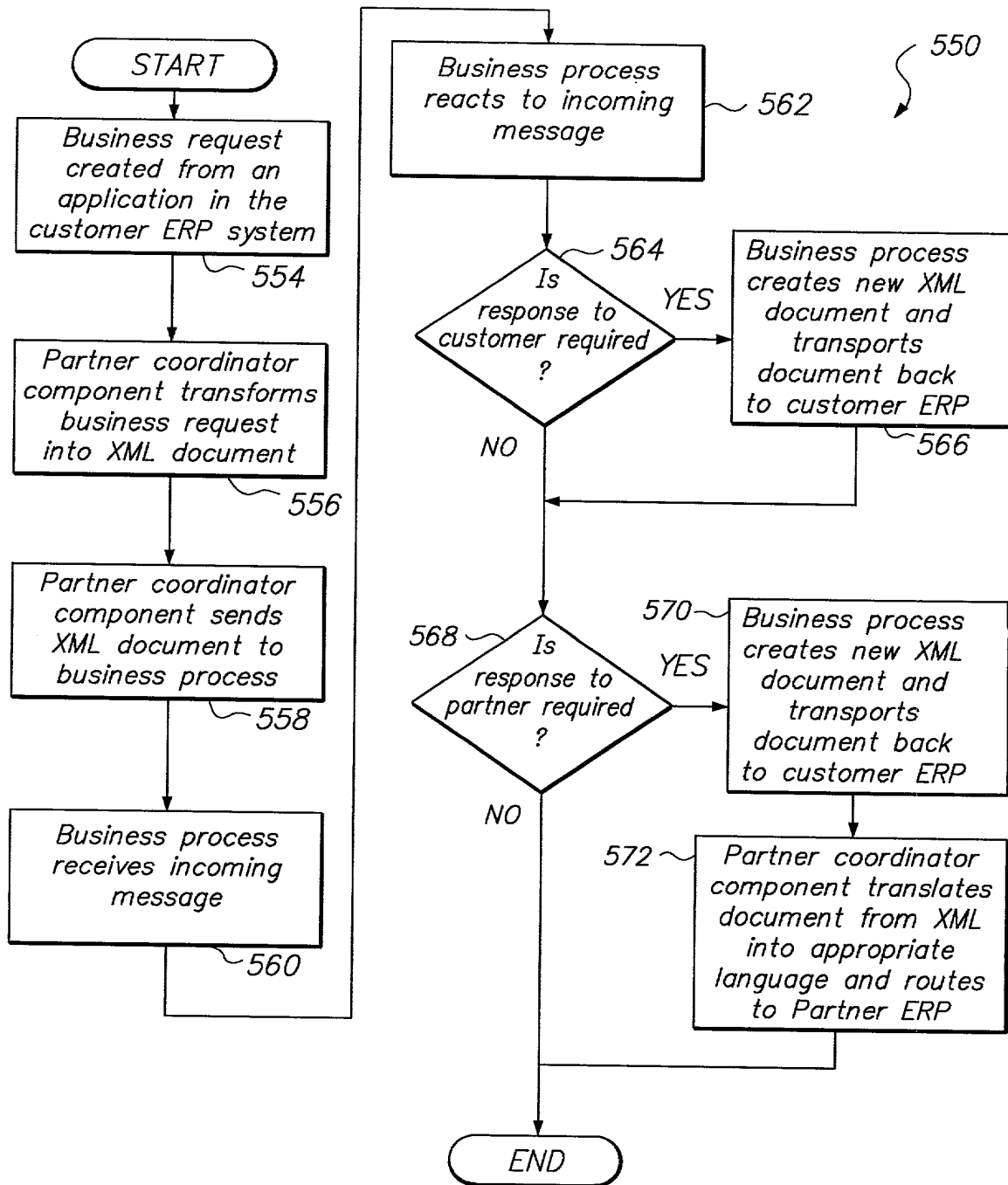


FIG. 18

20060928